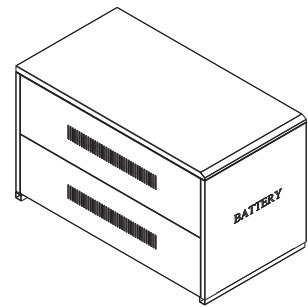
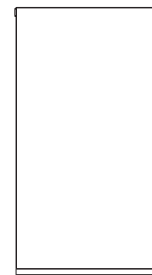
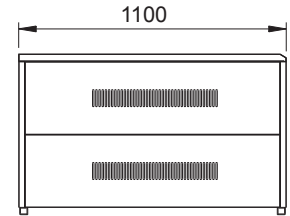
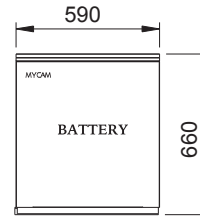
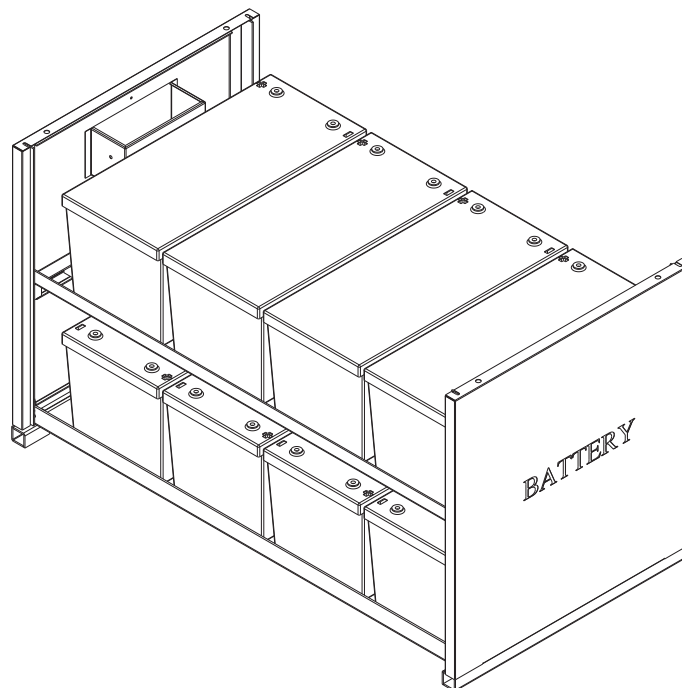


Battery Cabinet



Model	Width(mm)	Depth(mm)	Height(mm)	Net Weight(kg)	Gross Weight(kg)
MC BCS08	1100	590	660	43.2	55



8pcs Batteries
150AH/200AH
 523 × 240 × 230(L × W × H)